

# TICKETS & TABLES

## Gold Table £200 per ticket

Enjoy the night as one of our special VIP guests and find your table in a premium position. These coveted tables are the perfect way to entertain customers, colleagues and friends. Tickets include an additional delicate dinner course and “fun money” for our casino.

## Corporate Table £170 per ticket

Book one of our special corporate tables and enjoy an unforgettable evening of glamour and festive fun. Your tickets include one bottle of wine, “fun money” for our casino and the display of your company’s name on your table.

## Individual Table £95 per ticket

Come as a group of friends or join other Ball guests and experience a magical night at the Nutcracker Ball. As well as the dinner your ticket includes champagne at our reception, half a bottle of water and wine with dinner and “fun money” for our Nutcracker Casino.

# THE NUTCRACKER BALL

Friday 18 November 2011  
The Institute of Directors, London



British-German Association  
34 Belgrave Square, London, SW1X 8QB  
Tel: 020 7235 1922  
E-mail: [info@britishgermanassociation.org](mailto:info@britishgermanassociation.org)  
[www.britishgermanassociation.org](http://www.britishgermanassociation.org)

Registered Charity No. 206062

British-German Association  
creating understanding  
and forging links





invites you to

## THE NUTCRACKER BALL

on Friday 18 November 2011 at  
The Institute of Directors  
116 Pall Mall, London

### BALL PATRON

Christiane Boomgaarden  
Wife of His Excellency, The German Ambassador

Join us once again for an unforgettable night of superb entertainment, dance and fine food. Whether you want to enjoy the magic of the Nutcracker Ball together with a group of friends or entertain your clients and colleagues, this is the perfect occasion to herald the festive season.

The British-German Association is delighted to welcome you at 116 Pall Mall, the prestigious Grade I listed and historic home of The Institute of Directors. Don't miss the opportunity to combine a memorable night with raising valuable funds for our Youthbridge project.

**Book your tickets now!**

## THE PROGRAMME

### 7.00 pm Champagne Reception

You will be welcomed to the glamorous 116 Pall Mall and can enjoy a glass of sparkling champagne. His Excellency The German Ambassador will inaugurate the evening and the Nutcracker Ball.

### 7.45 pm Dinner

Take your seats in the beautiful Nash Ballroom and enjoy a delicious four course dinner prepared by the award winning chef at 116 Pall Mall. A selection of fine wines will be served.

### After Dinner

Dance the night away to the beat of our top dance orchestra in the separate dancing area, or have a stimulating conversation in the ballroom or in our Nutcracker Bar while savouring a selection of first class wines.

Back by popular demand you will have the opportunity to challenge fortune in our Nutcracker Casino. Professional croupiers will assist you at our Blackjack, Roulette, Poker and Dice Tables.

And don't forget the famous Nutcracker Auction, which will be held during the evening.

### 1.00 am Carriages

Even the most fabulous night has to end! The evening closes with a final dance and carriages will be awaiting you at the entrance.

### Dress

Black Tie. Decorations may be worn.

# THE NUTCRACKER BALL

Friday 18 November 2011  
The Institute of Directors  
116 Pall Mall  
London

## TABLES

Please insert the number of tickets you would like to book!

### **Gold Table £ 200 per ticket**

Please reserve me \_\_\_\_\_ Gold Table tickets  
(10 guests maximum per table)

### **Corporate Table £ 170 per ticket**

Please reserve me \_\_\_\_\_ Corporate Table tickets  
(10 guests maximum per table)

### **Individual Table £ 95 per ticket**

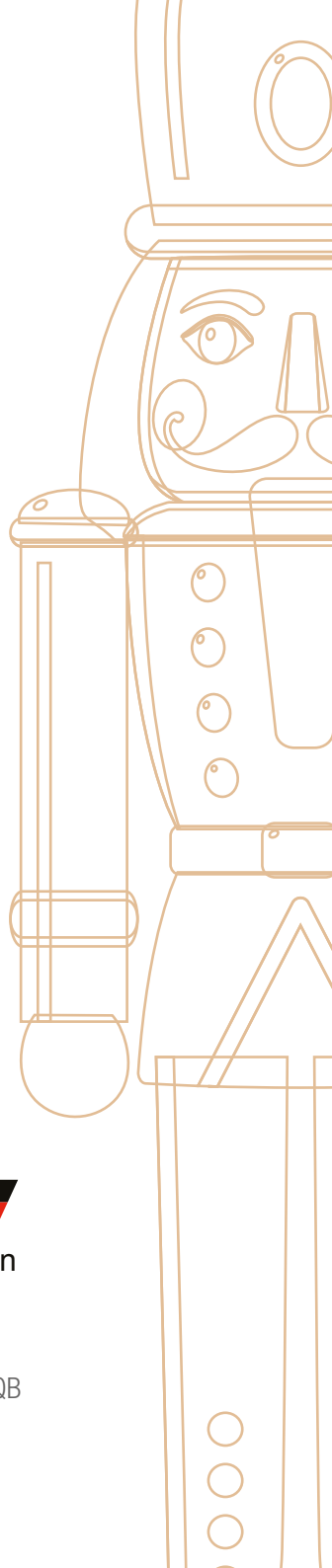
Please reserve me \_\_\_\_\_ Individual Table tickets  
(10 guests maximum per table)

Should you have any special dietary requests,  
please specify these below!

---



34 Belgrave Square, London SW1X 8QB  
Tel: 020 7235 1922  
E-mail: [bgalondon@btconnect.com](mailto:bgalondon@btconnect.com)  
[www.britishgermanassociation.org](http://www.britishgermanassociation.org)



# THE NUTCRACKER BALL

Friday 11 November 2011  
The Institute of Directors  
116 Pall Mall  
London

## TICKET APPLICATION

Name \_\_\_\_\_

Company  
(if applicable) \_\_\_\_\_

Address  
\_\_\_\_\_  
\_\_\_\_\_  
\_\_\_\_\_

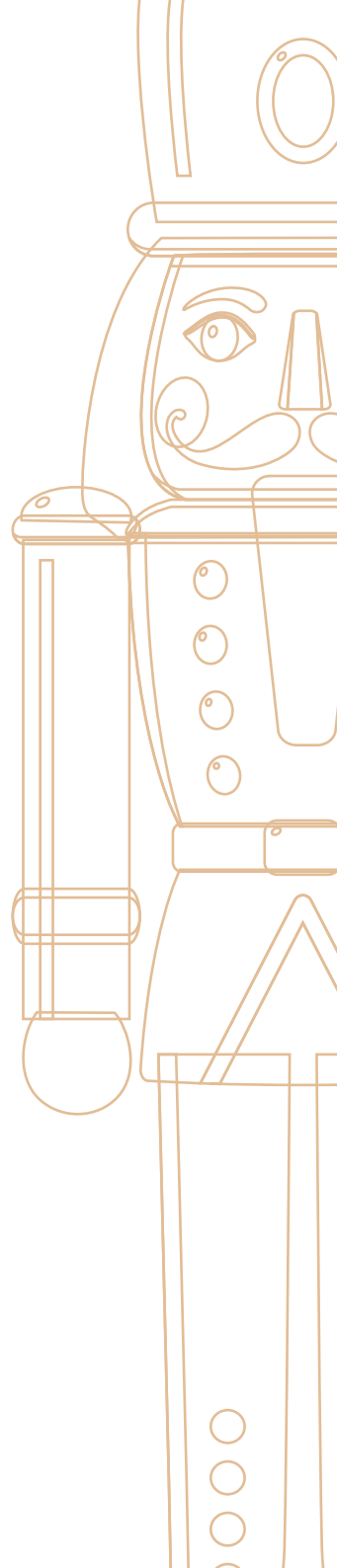
Telephone \_\_\_\_\_

Email \_\_\_\_\_

## PAYMENT

I enclose a cheque to the value of £\_\_\_\_\_ (Please make cheques payable to the BGA)

I will transfer £\_\_\_\_\_ Directly to the BGA Bank Account:  
British-German Association  
Account number: 00513482  
Sort-code: 30 – 97 – 81  
Lloyds TSB, Southampton Row, London



# SPONSORSHIP OPPORTUNITIES

Help support the Nutcracker Ball and our charitable causes by taking one of our limited sponsorship opportunities. It's also the perfect way to promote your company and brand at the most prestigious British-German social event of the year! Please call us to discuss your interest.

## **THE CHAMPAGNE RECEPTION**

**£4000**

A splendid champagne reception in a marvellous atmosphere – what could be a better start into the Nutcracker Ball night? Contribute and have your company represented in our reception area!

## **THE DANCE ORCHESTRA**

**£4000**

Our dance band, the popular Penthouse Experience, is the centrepiece of the Ball and will certainly fill the dance floor all night long. Become the sponsor of our high class entertainment!

## **THE NUTCRACKER CASINO**

**£5000**

For the first time the Nutcracker Ball will host a casino at the glamorous premises of 116 Pall Mall. Be the sponsor of a unique experience and have our Nutcracker Casino named after your company and your branding represented prominently in the room and on our casino fun money.

## **NUTCRACKER AUCTION**

The Nutcracker Auction is one of our traditional Ball highlights and is only possible due to your generous and unique donations. We are looking for exceptional experiences and special items, which distinctively represent your company and help us to raise valuable money for our charity work. Please be creative and give our guests the opportunity to bid in an exciting auction!

## **THE NUTCRACKERS**

**£2000**

Our traditional wooden Nutcrackers are hand made in Erzgebirge and stand proud on every table. This year they will feature a special ribbon with the name of our sponsor.

## **GOLD CHOCOLATE COINS**

**£850**

Every guest will receive a special Chocolate Coin at their table, featuring the Nutcracker Ball and the sponsor's own logo or image. A unique gift to eat or take away!

